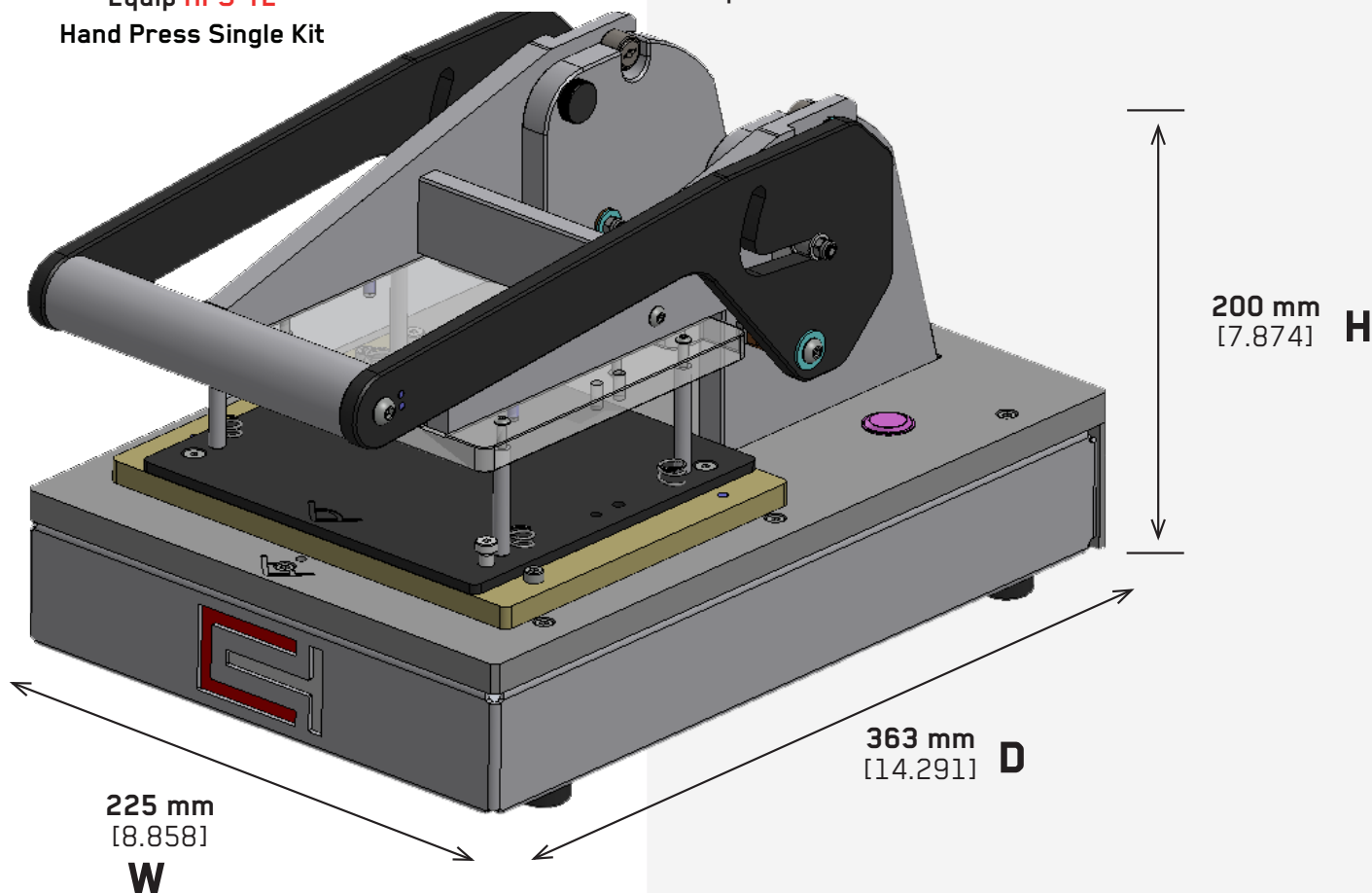


# Mechanical Fixture Kit

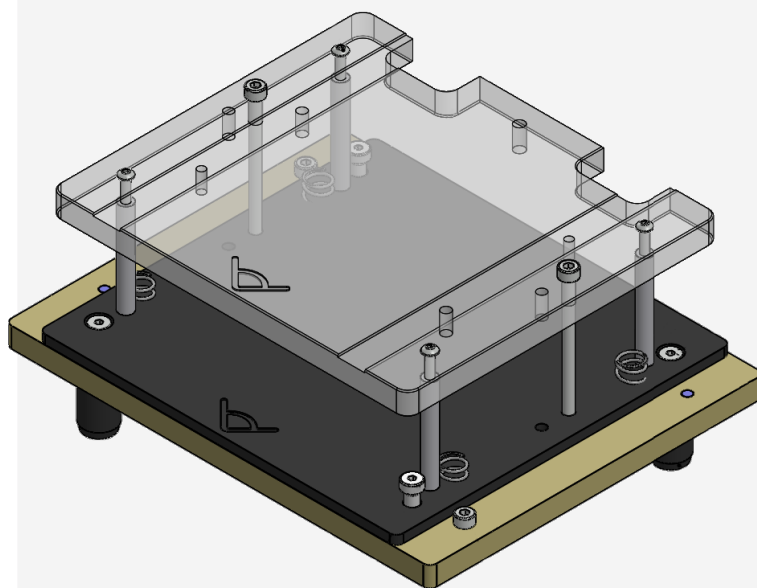
# HPS-12

Equip **HPS-12**  
Hand Press Single Kit



## Technical Features:

- Housing Type: Straight with Single Well
- Maximal Usable Area:  
125 mm x 125 mm  
[4.921 in x 4.921in]
- Contact Force Generation: Manual
- Ergonomic Handle for easy closing
- Easy Maintenance & ESD Safe (optional)
- Exchangeable Kit (EXCH - HPS - 12)
- Contact Force: maximum 300 N
- Opening Angle (Drive Unit): 80°
- Weight: approx. HPS-12 : 3.4kg
- Weight: approx. HPS-12 Exch : 1kg



Equip-Test R&D department has designed a new **Hand Press Fixture** for low pin-count applications.

Ideal for flash programming, rework purposes. As it has an exchangeable kit feature, it is perfect solution for small, middle batch and /or high-mix productions.

