

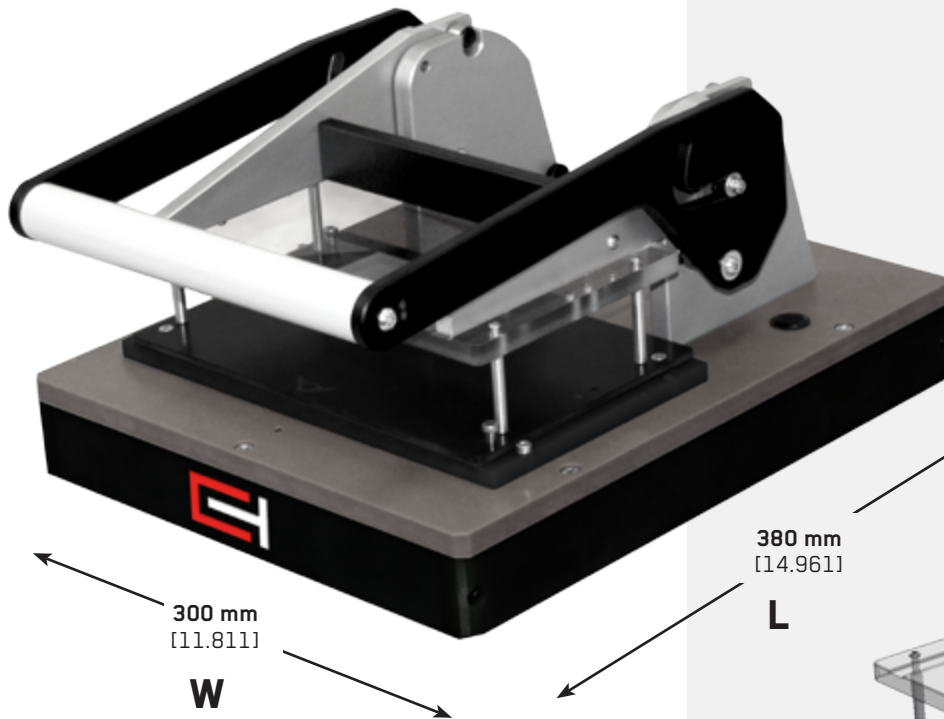
Hand Press Fixture Kit

HPS-25

Equip-Test R&D department has designed a new **Hand Press Fixture** for low pin-count applications.

Ideal for flash programming, rework purposes.

As it has an exchangeable kit feature, it is perfect solution for small, middle batch and /or high-mix productions.



Equip **EQ-10000000-0596-100 HPS-25**
Hand Press Single Kit

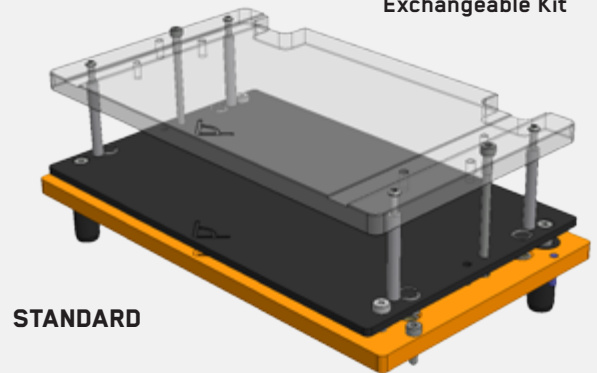
Technical Features:

- Housing Type: Straight with Single Well
- Maximal Usable Area 200 mm x 125 mm [7.874 in x 4.921 in]
- Contact Force Generation: Manual
- Ergonomic Handle for easy closing
- Easy Maintenance & ESD Safe (optional)
- Exchangeable Kit (EXCH - HPS - 25)
- Advanced Design includes:
 - 10 mm [0.394 in] Bakelite Probe Plate or ESD Painted FR-4 Probe Plate (ESD)
 - 4 mm [0.157 in] FR-4 all layer ESD Moving Plate
 - 10 mm [0.394 in] PC ESD Top Plate
- Paralell Contact Stroke: 6.4 mm [0.253 in]
- Contact Force: maximum 300 N
- Max. Component Height: 30 mm [1.181 in]
 - * (PCB is 1.60 mm [0.063 in] thick)
- Opening Angle (Drive Unit): 80°
- Weight: approx. 4 kg

380 mm [14.961]

L

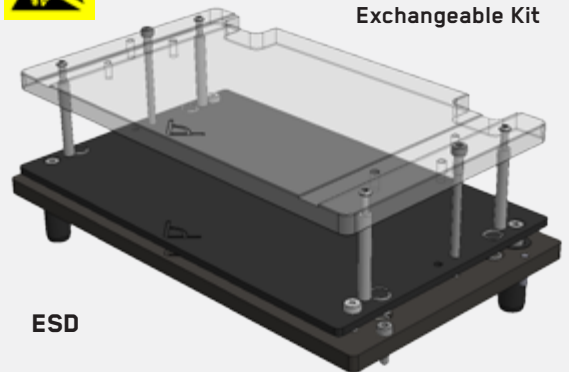
Equip **EXCH-HPS-25**
Exchangeable Kit



STANDARD



Equip **EXCH-HPS-25-ESD**
Exchangeable Kit



ESD

Part No. Order Code	Description
EQ-10000000-0596-100 HPS-25	Hand Press Single Kit
EQ-10000000-0596-000 HPS-25-DU	Mechanical Drive Unit - no Housing
EQ-10000000-0596-500 HPS-25-Box 500	Fixture Housing - Straight
EQ-10000000-0597-000 EXCH-HPS-25	Exchangeable Kit
EQ-10000000-0597-100 EXCH-HPS-25-ESD	Exchangeable Kit ESD

