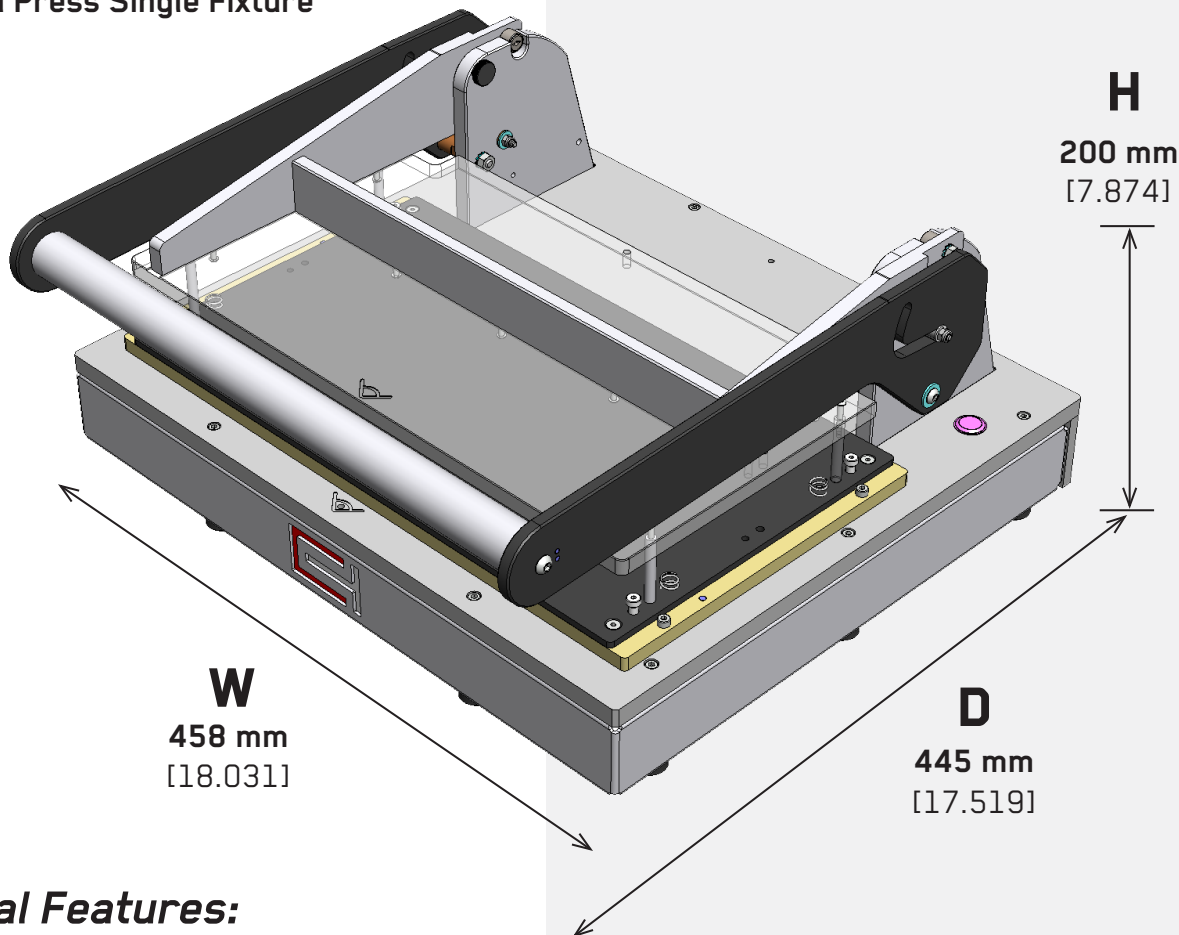


Hand Press Fixture Kit

HPS-35L

Equip **HPS-35L**
Hand Press Single Fixture



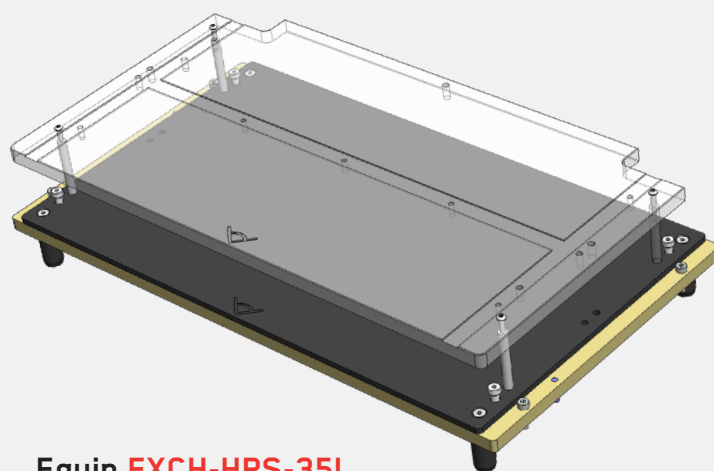
Technical Features:

- Housing Type: Straight with Single Well
- Maximal Usable Area:
200 mm x 350 mm
[7.874 in x 13.779 in]
- Contact Force Generation: Manual
- Ergonomic Handle for easy closing
- Easy Maintenance & ESD Safe (optional)
- Exchangeable Kit (EXCH - HPS - 35L)
- Contact Force: maximum 300 N
- Opening Angle (Drive Unit): 80°
- Weight approx. HPS-35L: 5.5 kg
- Weight approx. EXCH-HPS-35L: 3.3 kg

Equip-Test R&D department has designed a new **Hand Press Fixture** for low pin-count applications.

Ideal for flash programming, rework purposes.

As it has an exchangeable kit feature, it is perfect solution for small, middle batch and /or high-mix productions.



Equip **EXCH-HPS-35L**
Exchangeable Kit

